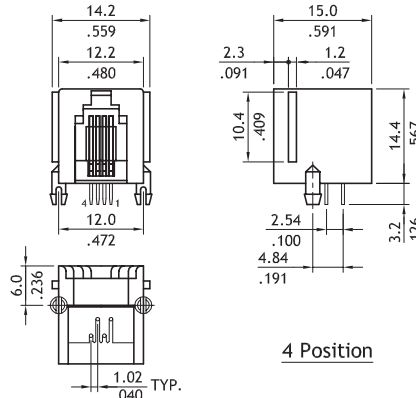
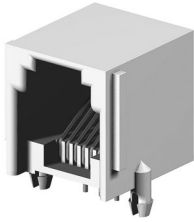


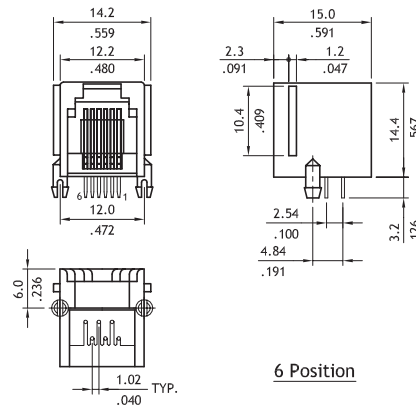
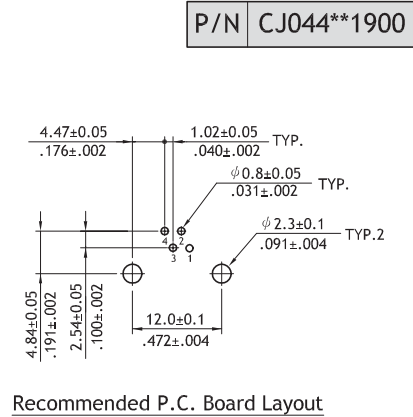
CJ04 Series Board Mount Telephone Jacks

- Available in 4 and 6 ways
- Insulator: Gray, Glass Filled Polyester
- Flammability Rating : UL 94V-0
- Cavity confirms to FCC rules and regulations PART 68, SUBPART F
- Lead Free soldering process available

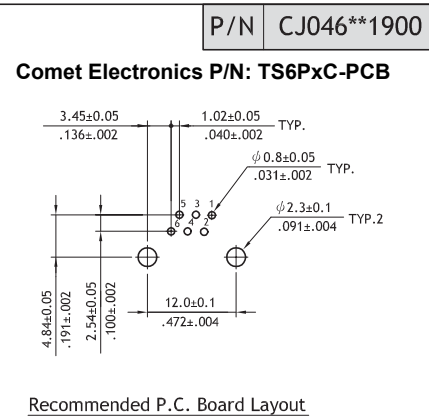
RoHS Compliant



4 Position



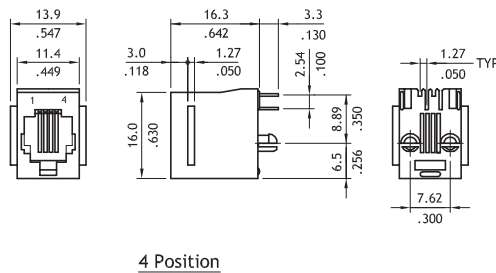
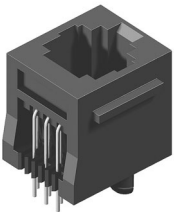
6 Position



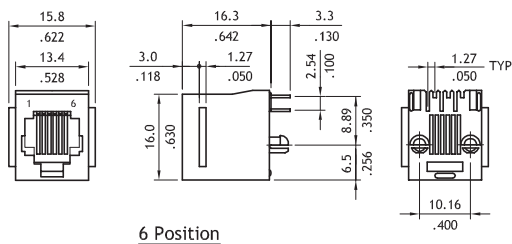
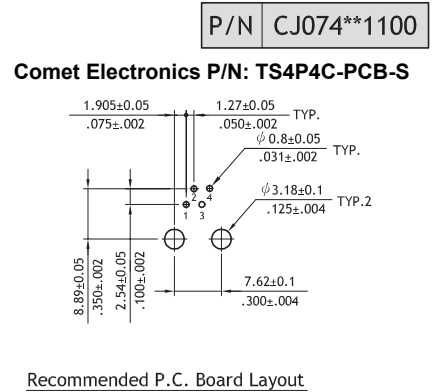
CJ07 Series Board Mount Telephone Jacks

- Available in 4,6 and 8 ways
- Insulator: Black, Glass Filled Polyester
- Cavity confirms to FCC rules and regulations PART 68, SUBPART F
- Lead Free soldering process available

RoHS Compliant



4 Position



6 Position

